

## GA7 Tool Key Actuated Cam Lock

### Features

- Attractive locks for low-cost security, using housings and fittings interchangeable with tool key operated models
- Two styles are available, with either 8 mm square or triangular plug, with keys to match
- Both are suitable for exterior use and can be water sealed to IP55 if required
- 90° rotation

### Material

- Steel, right chromium plated or black powder coated

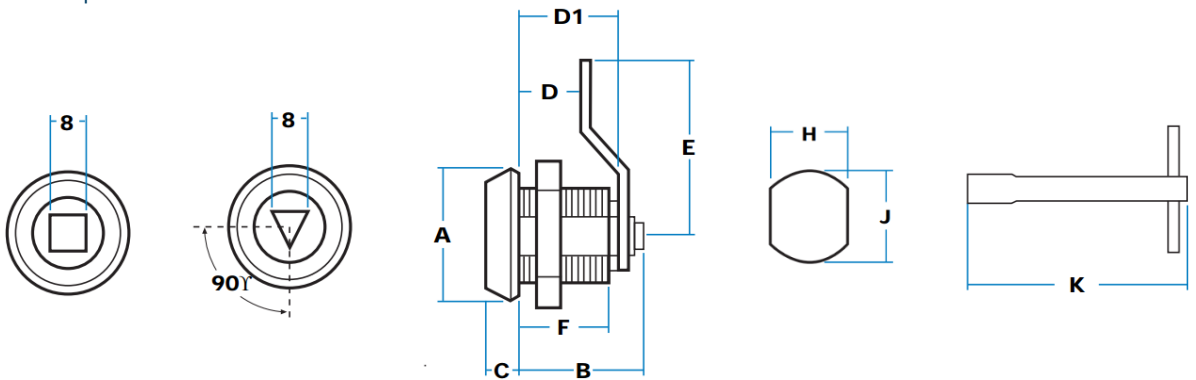
### Notes

- Steel triangle (G00129) and square (G00629) keys sold separately
- Cam pawl can be fitted at 45° intervals



GA7-G00113  
(triangle lock)

GA7-G00613  
(square lock)



| Part No.   | Type     | Finish | A  | B  | C | D  | D1 | E  | F  | H    | J  | K  |
|------------|----------|--------|----|----|---|----|----|----|----|------|----|----|
| GA7-G00112 | Triangle | Black  | 26 | 27 | 6 | 12 | 19 | 37 | 15 | 17.5 | 20 | 62 |
| GA7-G00113 |          | Chrome |    |    |   |    |    |    |    |      |    |    |
| GA7-G00612 | Square   | Black  |    |    |   |    |    |    |    |      |    |    |
| GA7-G00613 |          | Chrome |    |    |   |    |    |    |    |      |    |    |

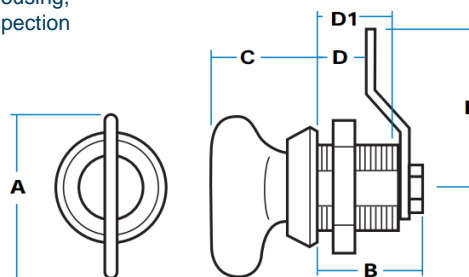
## GA7 'Fixed Key' Cam Lock

### Features

- A useful 'quarter-turn' fastener with a die cast turn-key permanently retained in the housing, making it useful for interior cabinets, inspection panels, etc.

### Material

- Black key within chrome housing



GA7-G00123

| Part No.   | A  | B  | C  | D | D1 | E  |
|------------|----|----|----|---|----|----|
| GA7-G00123 | 32 | 20 | 25 | 6 | 13 | 37 |